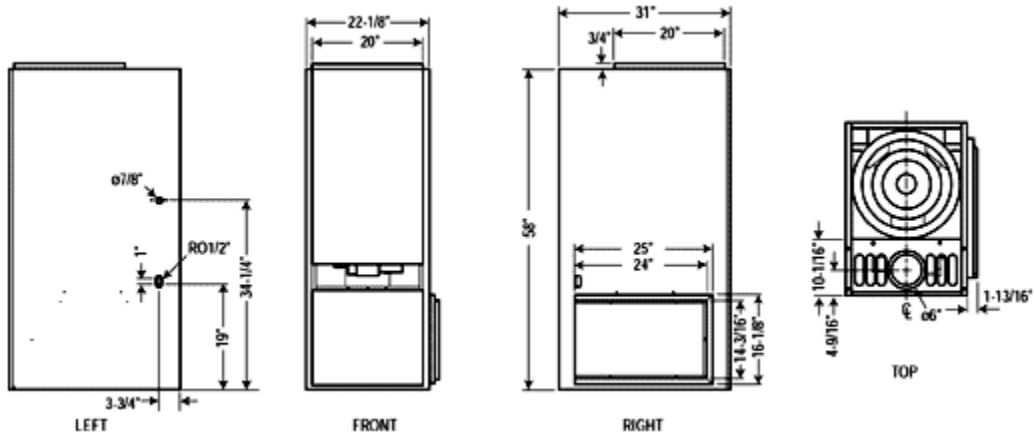


**HI BOY SPECIFICATIONS**



**SPECIFICATIONS:**

Model No.	BTU Input	Heating Capacity BTU/HR	AFUE	Blower Performance CFM @ 0.4 w.c. Direct Drive	Nozzle GPH (Oil)	Nozzle Type (Delavan)	No. & Size of Filters	Ship Wt.
CHB 68-112	84,000	70,500	82.0	990 - 1,360	0.60	.60x.80° A	(1) 16x25	290
	105,000	88,200	82.0	990 - 1,360	0.75	.75x.80° A	(1) 16x25	290
	119,000	99,900	82.0	990 - 1,360	0.85	.85x.80° A	(1) 16x25	290
	140,000	117,600	82.0	990 - 1,360	1.00	1.00x.80° A	(1) 16x25	290

Model CHB 68-112 is factory set for 105,000 BTU/HR input (.75 GPH). All other sizes require a change of nozzle in the field.